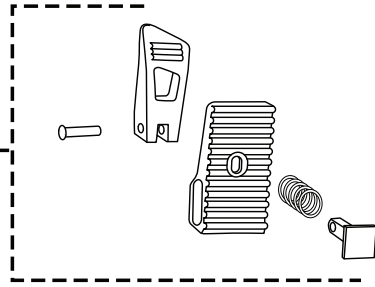
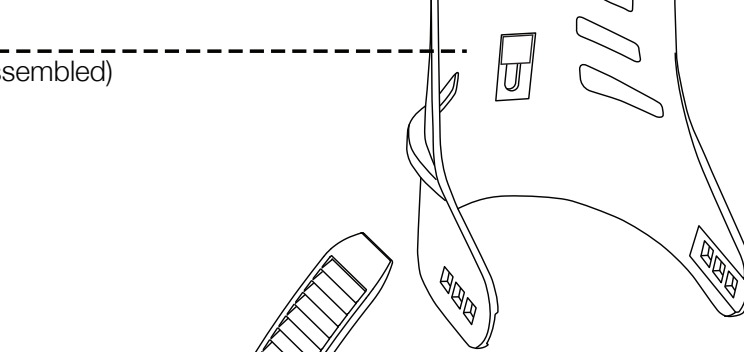


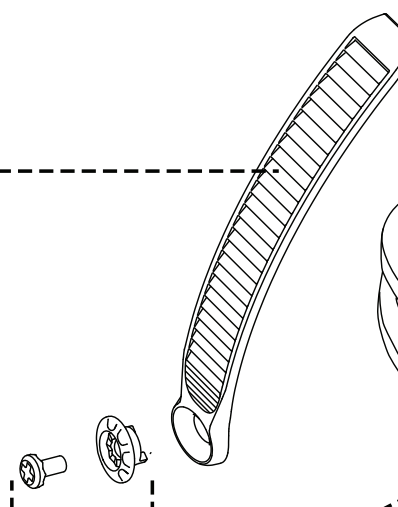
**N12K2** Hadron FWD-lean Set  
(= Lean-block + Lever + hardware)



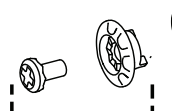
**N2F2** Asym Hadron Hiback Set  
(= Hiback + EVA-pad + FWD-lean assembled)



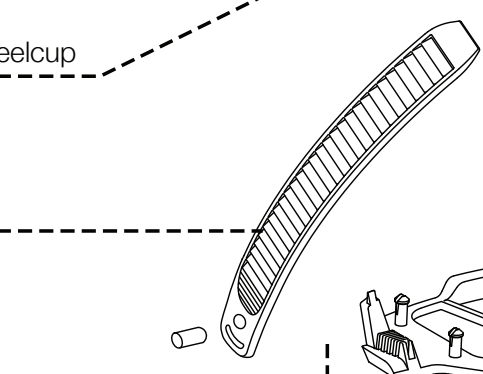
**18F1** LSR Pivot Ankle-ladder



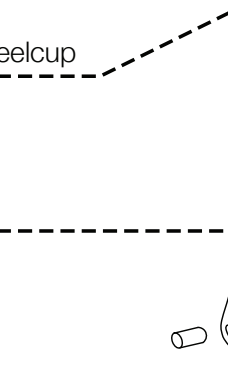
**N28F1** Axis.N1 C-bolt Set  
(= Screw M5\*22 + Pivot-Washer + T-nut)



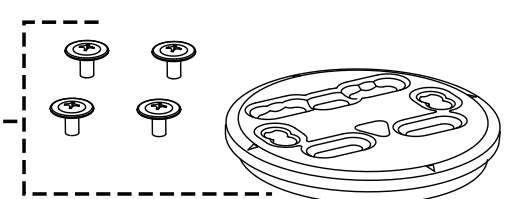
**N1G1** Axis.N1-Series Kaon Baseplate+Heelcup



**18A1** LSR Toe-ladder w/ plug

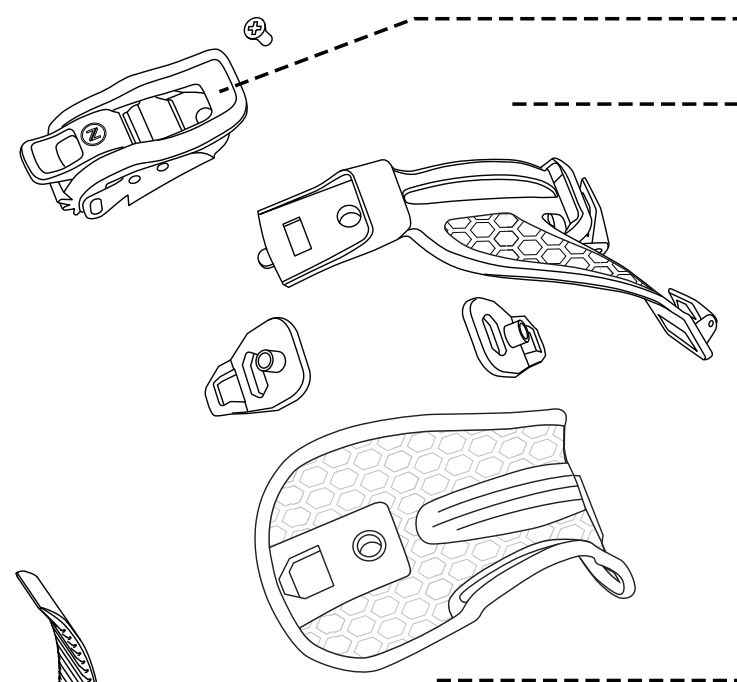


**21H2** Multi-Disk Mounting disk w/ screws (M6\*14.5)



Axion Ankle-ratchet w/ screw

**N41K1**



Hybrid ExoKush Set  
(= ExoKush AnkleStrap +  
Hybrid Ankle-Spine +  
Insert-pods + QS-latches)

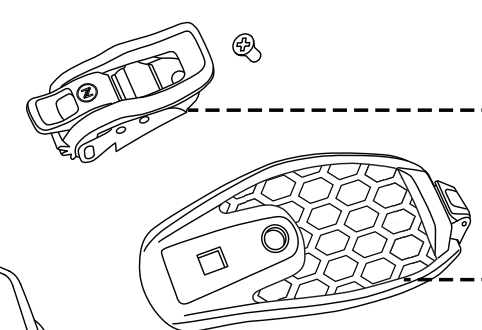
**11K1**

QuickSet Ankle-ladder

**17G1**

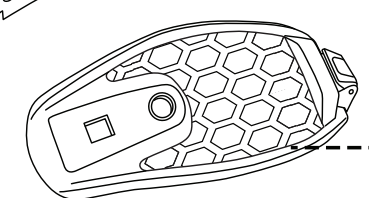
Axion Toe-ratchet w/ screw

**N41L1**



Hexo Toecap w/ QS-latch

**11A2**



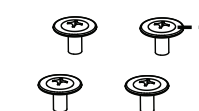
**17H2**

Axis.N1 Kaon Baseplate-Cushioning set  
(= Bankbed + Heel-basepad + Rocker-EVA)

**N8A1**

Mounting screws (M6\*14.5)

**42G1**



# NIDECKER — HYBRID BINDINGS

FOR KAON-CX & KAONPLUS

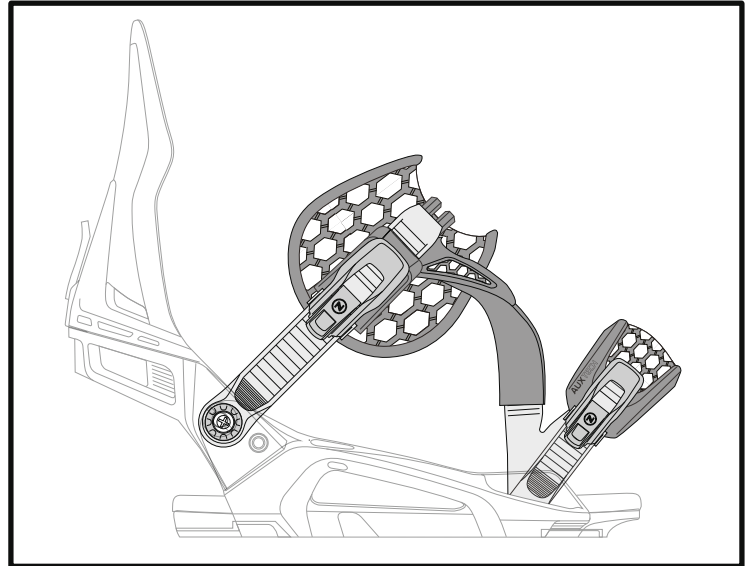


Thank you for purchasing Nidecker bindings. We recommend that your bindings be mounted and maintained by a trained, professional mechanic.

Tools needed:  
Screwdriver



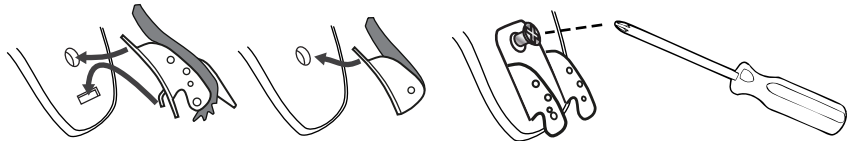
PH#3



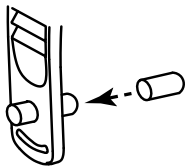
All Nidecker bindings can be fully personalized for a superior fit to your boot and riding style. Please go to [www.NIDECKER.com](http://www.NIDECKER.com) for videos, details and tricks & tips for each of our models.

## BUCKLE REPLACEMENT

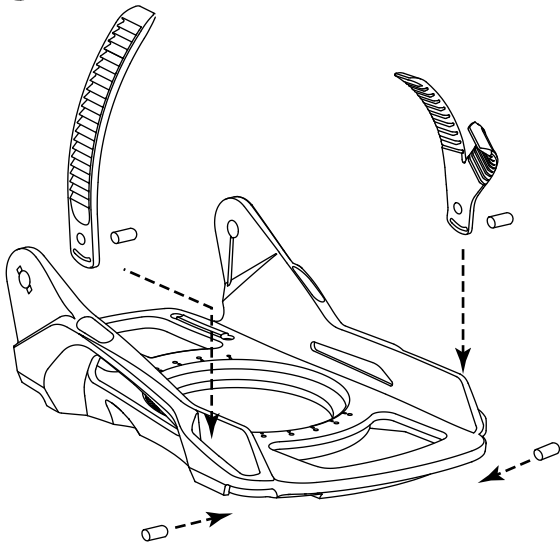
On topside, attach buckle with supplied screw into spiked T-nut, using Philips #2 screwdriver.



## CHANGE YOUR LADDERSTRAP

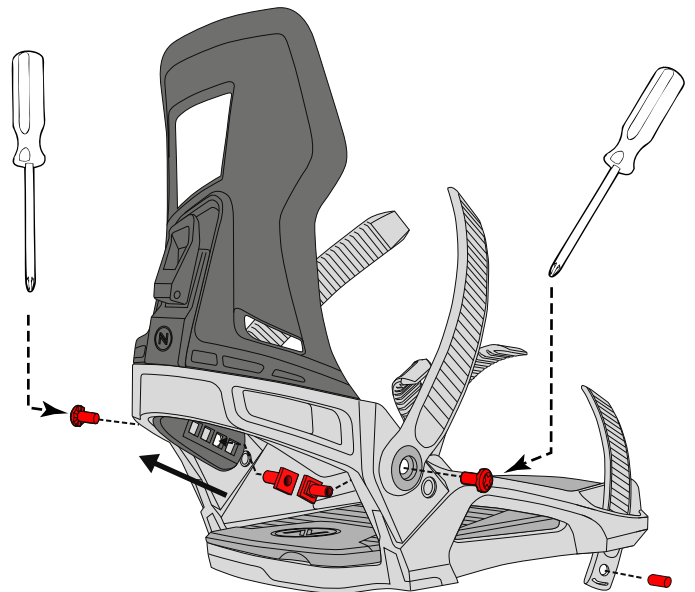


Use ladderstraps with this bottom shape and attachment pins. Insert ladderstraps from top into the slots, add stopper pins into ladders from bottom.



## CHANGE YOUR HIBACK

Remove the two outer screws on the top straps.



**IMPORTANT NOTE:** Be sure that all parts are assembled correctly and secure, failure to do so may cause serious injuries. Nidecker recommends that any and all service and repairs to your bindings be done by a trained, professional mechanic. For our full liability policy, how-to tricks and tips and more, please visit [WWW.NIDECKER.COM](http://WWW.NIDECKER.COM)

