

**N2G1** Asym Carbon C6 Hiback Set  
(= Hiback + EVA-pad + FWD-lean assembled)

Axion Ankle-ratchet w/ screw **N41K1**

Hybrid ExoFrame Set  
(= HybridSpine +  
ExoFrame strap +  
QuickSet latches) **11H1**

**18F1** LSR Pivot Ankle-ladder

QuickSet Pivot Ankle-ladder **17G1**

**N28G1** Kaon-CX C-bolt Set  
(= Screw M5\*22 + Pivot-Washer +  
washer + 4mm Allen/Hex-bolt)

Axion Toe-ratchet w/ screw **N41L1**

Hexo Toecap w/ QS-latch **11A2**

**N1G1** Axis.N1-Series Kaon Baseplate+Heelcup

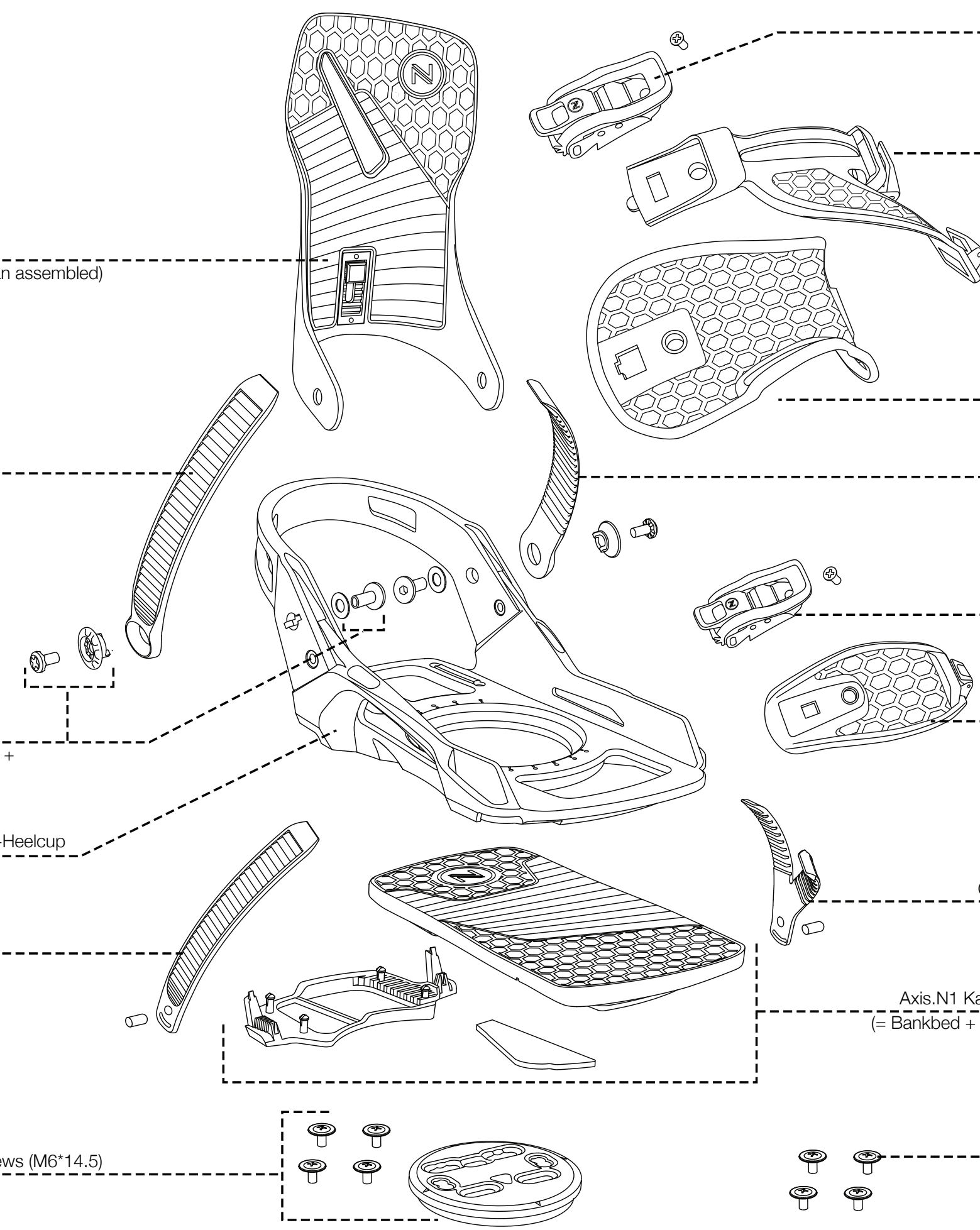
QuickSet Y-Toeladder w/ plug **17H2**

**18A1** LSR Toe-ladder w/ plug

Axis.N1 Kaon Baseplate-Cushioning set  
(= Bankbed + Heel-basepad + Rocker-EVA) **N8A1**

**21H2** Multi-Disk Mounting disk w/ screws (M6\*14.5)

Mounting screws (M6\*14.5) **42G1**



# NIDECKER — HYBRID BINDINGS

FOR KAON-CX & KAONPLUS

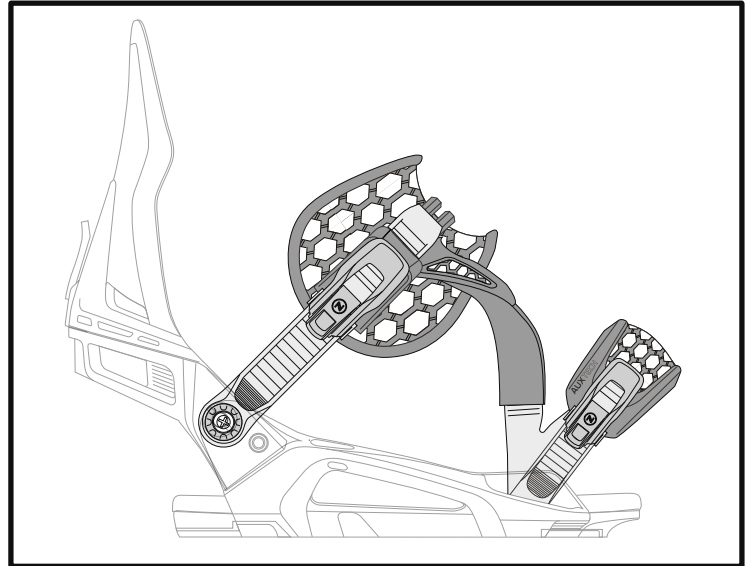


Thank you for purchasing Nidecker bindings. We recommend that your bindings be mounted and maintained by a trained, professional mechanic.

Tools needed:  
Screwdriver



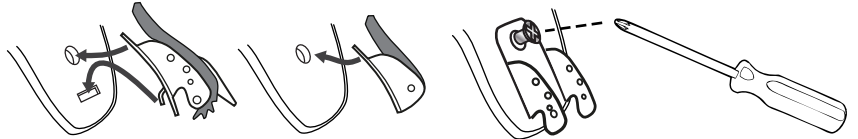
PH#3



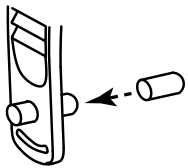
All Nidecker bindings can be fully personalized for a superior fit to your boot and riding style. Please go to [www.NIDECKER.com](http://www.NIDECKER.com) for videos, details and tricks & tips for each of our models.

## BUCKLE REPLACEMENT

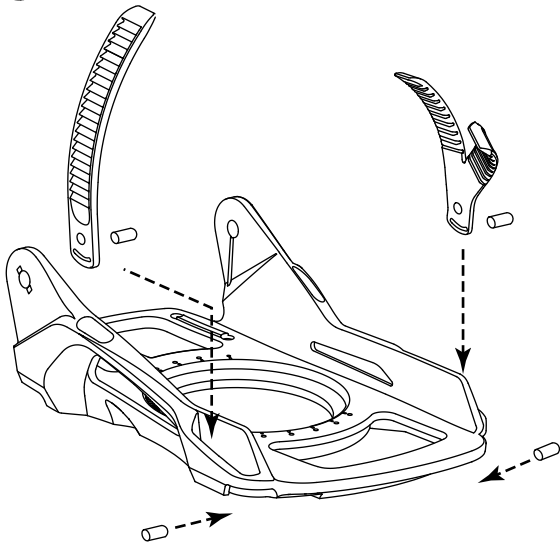
On topside, attach buckle with supplied screw into spiked T-nut, using Philips #2 screwdriver.



## CHANGE YOUR LADDERSTRAP

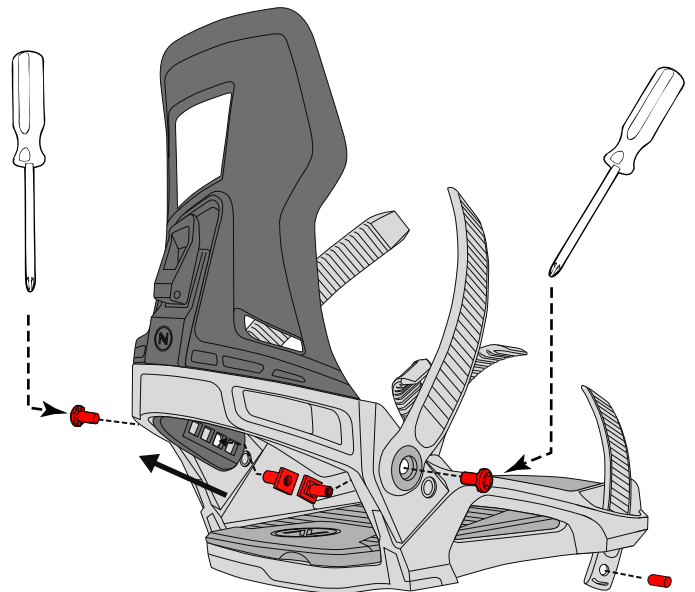


Use ladderstraps with this bottom shape and attachment pins. Insert ladderstraps from top into the slots, add stopper pins into ladders from bottom.



## CHANGE YOUR HIBACK

Remove the two outer screws on the top straps.



**IMPORTANT NOTE:** Be sure that all parts are assembled correctly and secure, failure to do so may cause serious injuries. Nidecker recommends that any and all service and repairs to your bindings be done by a trained, professional mechanic. For our full liability policy, how-to tricks and tips and more, please visit [WWW.NIDECKER.COM](http://WWW.NIDECKER.COM)

