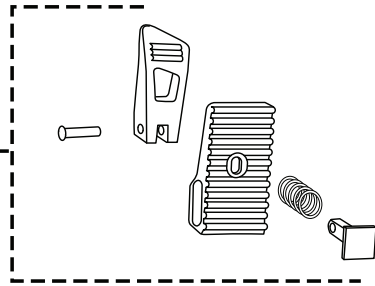
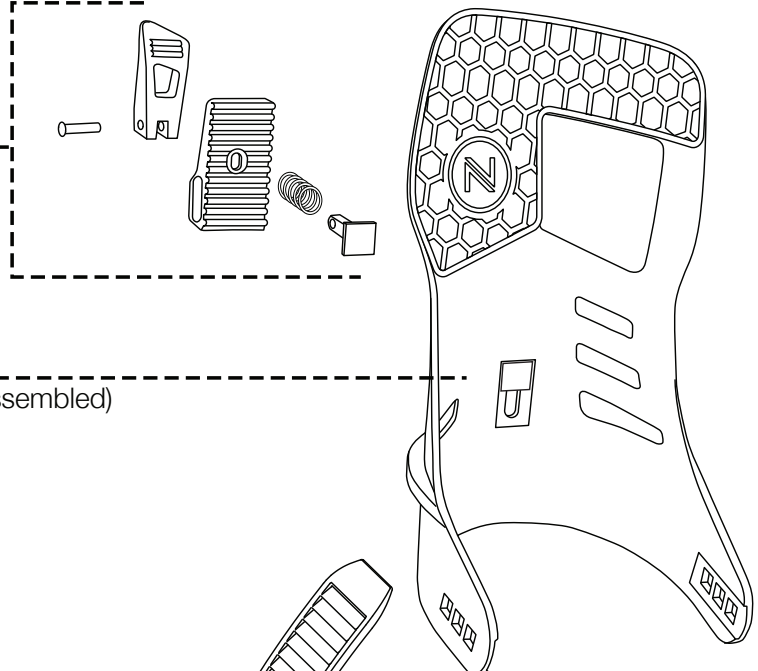


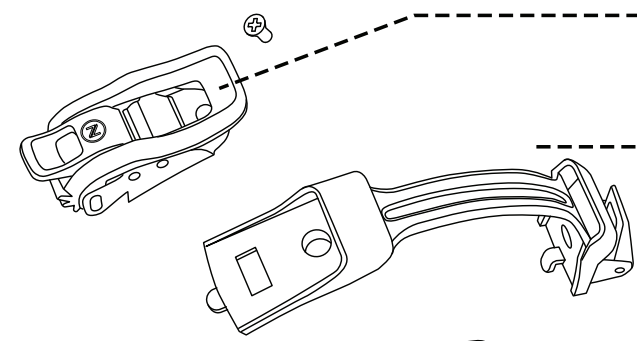
N12K2 Hadron FWD-lean Set
(= Lean-block + Lever + hardware)



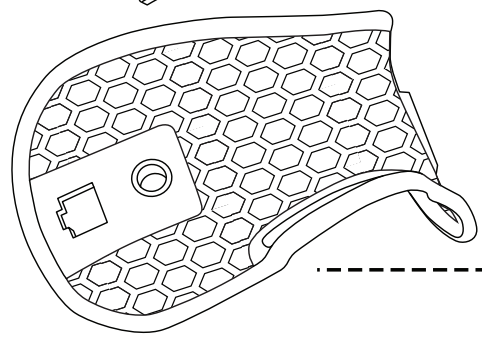
N2F2 Asym Hadron Hiback Set
(= Hiback + EVA-pad + FWD-lean assembled)



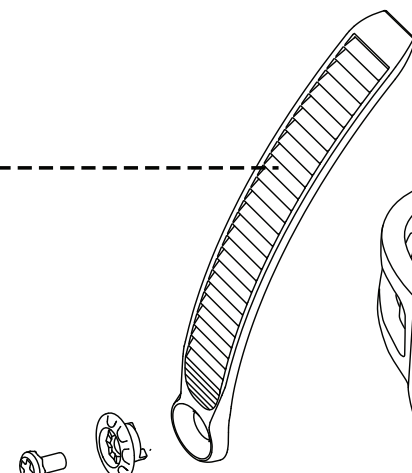
Axion Ankle-ratchet w/ screw **N41K1**



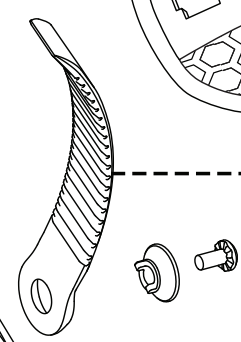
Ankle ExoFrame Set **N11B1**
(= AnkleSpine + ExoFrame strap + QuickSet latch)



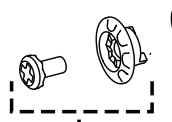
18F1 LSR Pivot Ankle-ladder



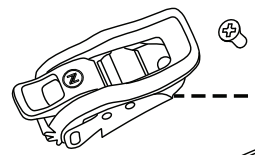
QuickSet Ankle-ladder **17G1**



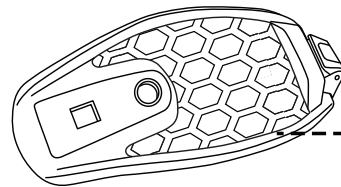
N28F1 Axis.N1 C-bolt Set
(= Screw M5*22 + Pivot-Washer + T-nut)



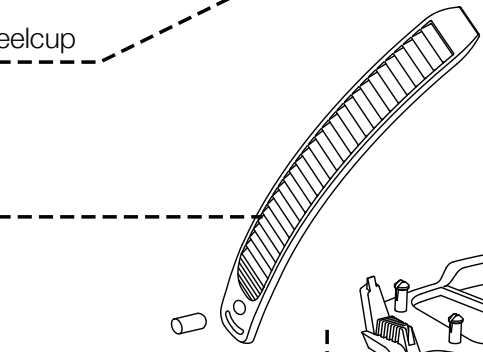
Axion Toe-ratchet w/ screw **N41L1**



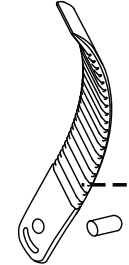
Hexo Toecap w/ QS-latch **11A2**



N1G1 Axis.N1-Series Kaon Baseplate+Heelcup



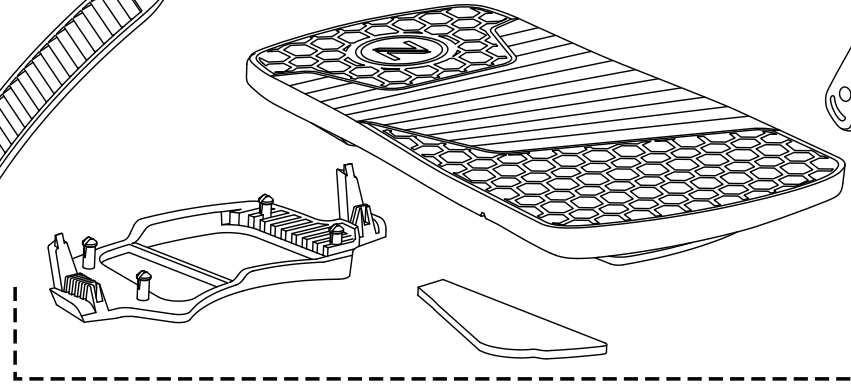
QuickSet Toe-ladder w/ plug **N17D1**



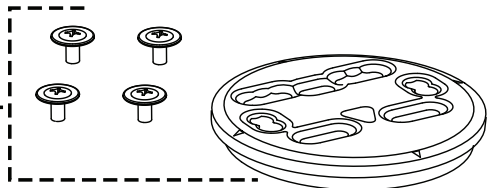
18A1 LSR Toe-ladder w/ plug



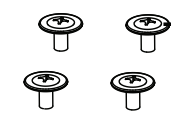
Axis.N1 Kaon Baseplate-Cushioning set **N8A1**
(= Bankbed + Heel-basepad + Rocker-EVA)



21H2 Multi-Disk Mounting disk w/ screws (M6*14.5)



Mounting screws (M6*14.5) **42G1**



NIDECKER — CLASSICS BINDINGS

FOR KAON-X, KAON-W, MUON-X, MUON-W & PRIME

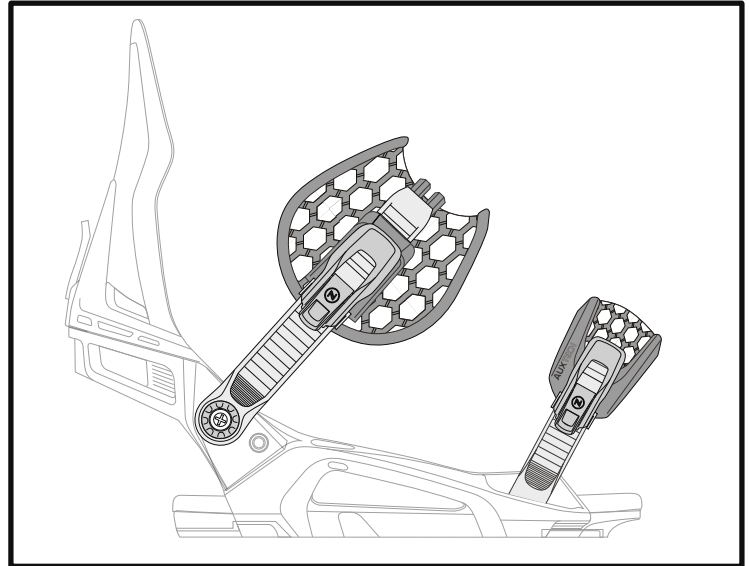


Thank you for purchasing Nidecker bindings. We recommend that your bindings be mounted and maintained by a trained, professional mechanic.

Tools needed:
Screwdriver



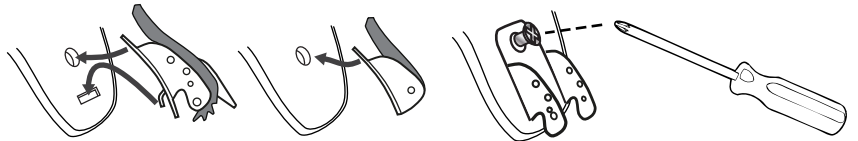
PH#3



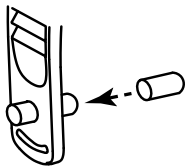
All Nidecker bindings can be fully personalized for a superior fit to your boot and riding style. Please go to www.NIDECKER.com for videos, details and tricks & tips for each of our models.

BUCKLE REPLACEMENT

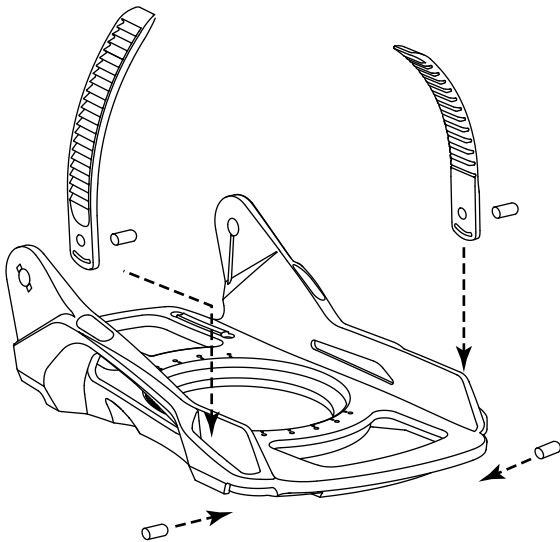
On topside, attach buckle with supplied screw into spiked T-nut, using Philips #2 screwdriver.



CHANGE YOUR LADDERSTRAP

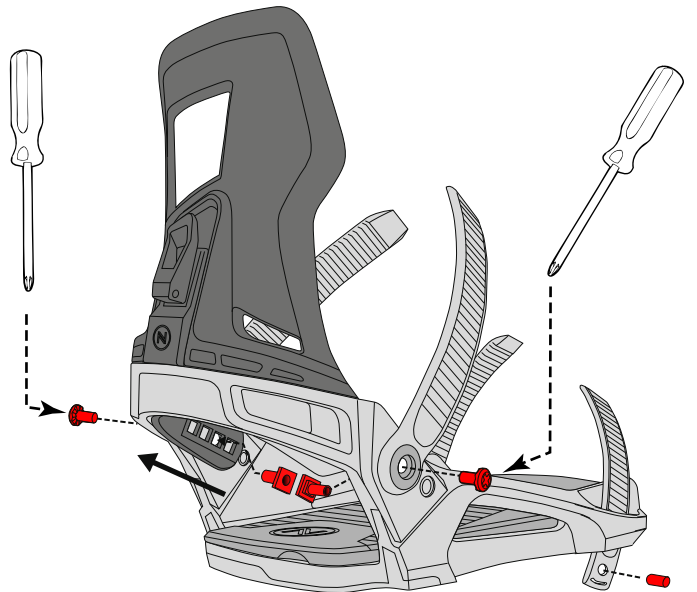


Use ladderstraps with this bottom shape and attachment pins. Insert ladderstraps from top into the slots, add stopper pins into ladders from bottom.



CHANGE YOUR HIBACK

Remove the two outer screws on the top straps.



IMPORTANT NOTE: Be sure that all parts are assembled correctly and secure, failure to do so may cause serious injuries. Nidecker recommends that any and all service and repairs to your bindings be done by a trained, professional mechanic. For our full liability policy, how-to tricks and tips and more, please visit WWW.NIDECKER.COM

